

# PCB 继电器

T78



15.7x12.5x14

- 20A switching capability
- Small size auto relay
- Conform to RoHS,ELV directive

## ■ ORDERING CODE

SCH-T78 1A 24S  
1 2 3

1. Relay Model

TRKM or SCH-

3. Coil Nominal Voltage 5,  
6, 9, 12, 24VDC

2. Contact conversion

Z: Form C B: Form B

H: Form A

## ■ COIL DATA (at 20°C)

Nominal Voltage (VDC)	5	6	9	12	24	
Coil Resistance ( $\Omega \pm 10\%$ )	70	100	225	400	1600	0.36W
Rated Current (mA)	71.4	60	40	30	15	
Max Operate Voltage (VDC)	3.75	4.5	6.75	9.0	18.0	
Min Release Voltage (VDC)	0.40	0.48	0.72	0.96	1.92	
Coil Resistance ( $\Omega \pm 10\%$ )	42	60	135	240	960	0.6W
Rated Current (mA)	119	100	66.7	50	25	
Max Operate Voltage (VDC)	3.25	3.9	5.85	7.8	15.6	
Min Release Voltage (VDC)	0.40	0.48	0.72	0.96	1.92	
Coil Resistance ( $\Omega \pm 10\%$ )	31	45	100	130	720	1.1
Rated Current (mA)	161.3	133.3	88.9	92	33.3	
Max Operate Voltage (VDC)	3.25	3.9	5.85	8.4	15.6	
Min Release Voltage (VDC)	0.40	0.48	0.72	0.96	1.92	
Max Applicable Voltage	130% of rated voltage at 70°C, 170% of rated voltage at 23°C					

## ■ CONTACT DATA

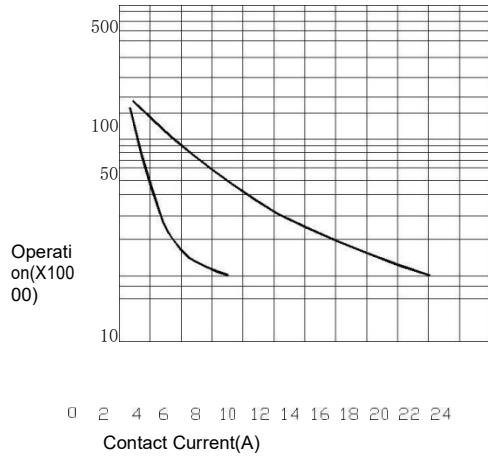
Contact Form	1H/1Z/1B
Contact Material	Silver Alloy
Load	Resistive load(COS $\Phi$ =1)
Contact Ratings	NO: 30A 14VDC NC: 12A 14VDC 1Z: 10A 120VAC
Minimum load	100mA 5VDC
Max Switching Voltage	250VAC/16VDC
Max Switching Current	25A
Max Switching Power	840VA/280W
Contact Resistance	100m $\Omega$ Max at 6VDC 1A
Life Expectancy	Electrical : 100,000 Operations(at30Operations/minute)
	Mechanical: 10,000,000 Operations(at300Operations/minute)

## ■ CHARACTERISTICS DATA

Insulation Resistance	100M $\Omega$ Min at 500VDC
Dielectric Strength Between Open Contacts	500VAC(for one minute)
Between Contacts and coil	500VAC(for one minute)
Operate Time	10ms
Release Time	5ms
Temperature Range	-40°C to +85°C
Shock Resistance	Operating Extremes : 10G
	Damage Limits : 100G
Vibration Resistance	10-55Hz, 1.5mm
Max. switching frequency	Mechanical: 18,000operations/hr
	Electrical: 1,800operations/hr
Humidity	35-85%
Weight	Approx 6g

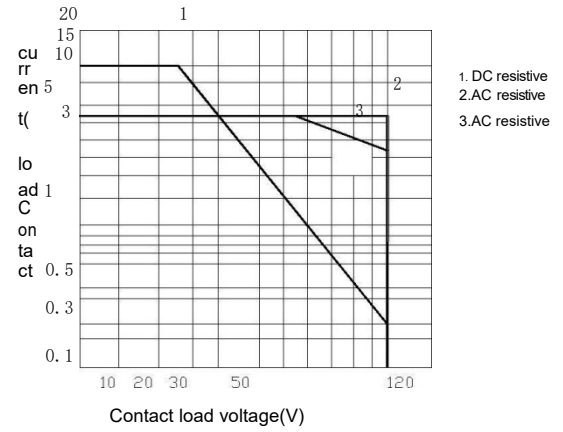
■ ENGINEERING DATA

service life

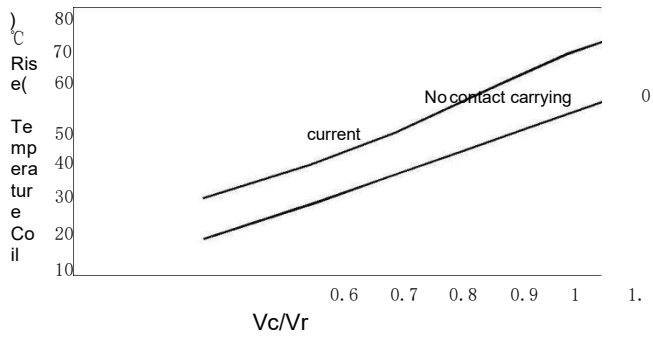


A)2

current

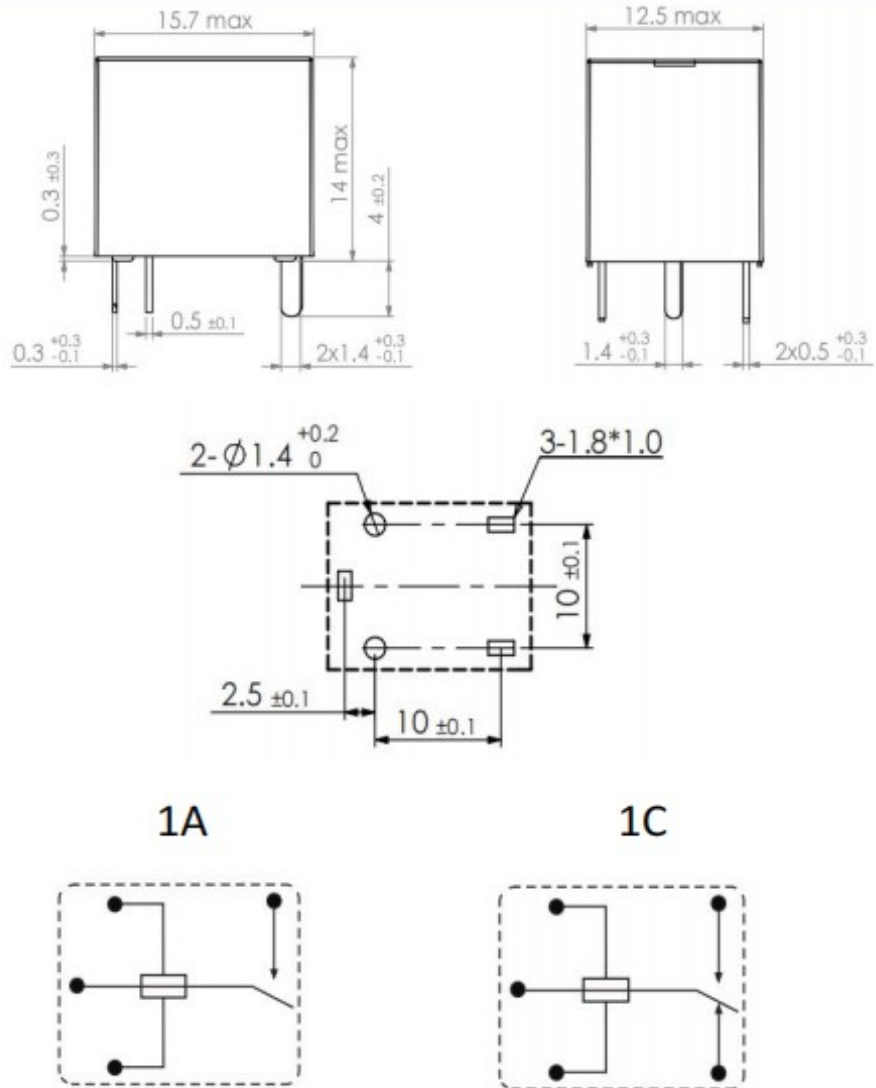


temperature



## ■ OVERALL AND MOUNTING DIMENSIONS 安装图

### 外形图、接线图、安装尺寸



备注：\*该尺寸不包括锡尖，沾锡后锡尖长度不超过1mm。

### REMARK (备注)：

- 1、产品部分外形尺寸中未注尺寸公差：当外形尺寸 $\leq 1\text{mm}$ 时，公差为 $\pm 0.2\text{mm}$ ；当外形尺寸在 1~5mm 时，公差为 $\pm 0.3\text{mm}$ ；当外形尺寸 $> 5\text{mm}$ 时，公差为 $\pm 0.4\text{mm}$ 。
- 2、安装孔尺寸中未注尺寸公差均为 $\pm 0.1\text{mm}$ 。

### 声明：

本产品规格书仅供客户使用时参考，如有更改，恕不另行通知。